

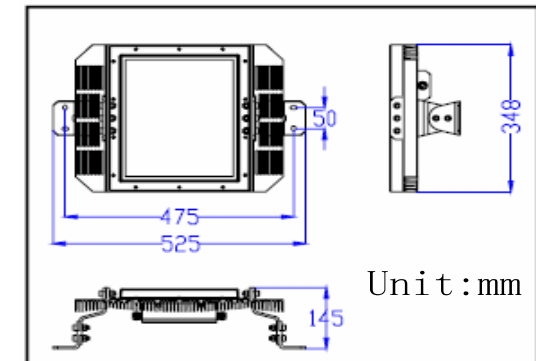


## 60 LED High Power Tunnel Lamp

Model No.	MS-TL002060		
Input Voltage(VAC)	AC100-240V		
Frequency Range(HZ)	50-60Hz		
Power Factor(PF)	>0.96		
Total Harmonic Distortion	<10%		
Power Efficiency	83%		
Working Voltage(VDC)	DC45.5		
LED Luminous Efficiency	>85lm/ W LED		
LED Consumption(W)	60W		
System Consumption(W)	75W		
LED Initial Flux(LM)	>5500lm		
Lamp's Efficiency(%)	90%		
Average Brightness(LUX)	Height: 19.8'	6m	30 lux
Effective Illuminated Area	Height: 19.8'	6m	20.5 x 7m
Illuminance Uniformity(U2)	0.4		
Color Temperature	6500K(PW), 3000K(WW), 4100K(NW),		
Color Rendering Index(CRI)	Ra>75		
Junction Temperature	<70 °C		
Working Environment	Temp: -40°C~+55°C		
IP Rating	IP65		
Working Life	35,000-50,000 hours		
Tube Lamp material	Aluminum Alloy + Tempered Glass		
Net Weight	18.7lb 8.5kgs		
Packing Size(mm)	201 x 713 x 531mm		
Certification	CE/LVD,CE/EMC,RoHs		



The 1st LED streetlight project in Shenzhen, Tangming Rd.



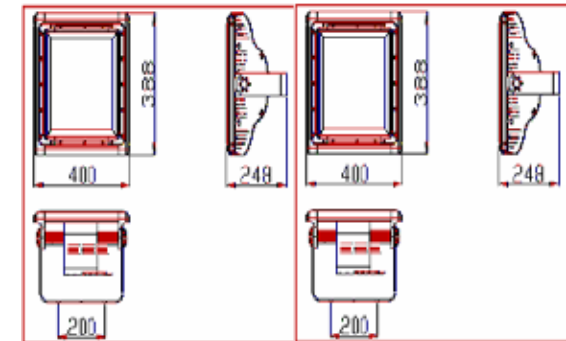


## 64 LED High Power Tunnel Lamp

Model No.	MS-TL002064				
Input Voltage(VAC)	AC100-240V				
Frequency Range(HZ)	50-60Hz				
Power Factor(PF)	>0.95				
Total Harmonic Distortion	<20%				
Power Efficiency	90%				
Working Voltage(VDC)	DC45				
LED Luminous Efficiency	>85lm/W LED				
LED Consumption(W)	64W				
System Consumption(W)	75W				
LED Initial Flux(LM)	>4500lm				
Lamp's Efficiency(%)	90%				
Average Brightness(LUX)	Height:	16.5'/5m	space	16.5'/5m	142lux
	Height:	16.5'/5m	space	33'/10m	73lux
	Height:	20'/6m	space	16.5'/5m	132lux
	Height:	20'/6m	space	33'/10m	67lux
Illuminance Uniformity(U2)	0.65				
Color Temperature	6500K(PW), 3000K(WW),4100K(NW),				
Color Rendering Index(CRI)	Ra>75				
Junction Temperature	<70 °C				
Working Environment	Temp: -40°C~+55°C				
IP Rating	IP65				
Working Life	35,000-50,000 hours				
Tube Lamp material	Aluminum Alloy + Tempered Glass				
Net Weight	12.7lb 5.8kgs				
Packing Size(mm)	529 x 493 x 305mm				
Certification	CE/LVD,CE/EMC,RoHs				



The 1st LED streetlight project in Shenzhen, Tangming Rd.



Unit:mm



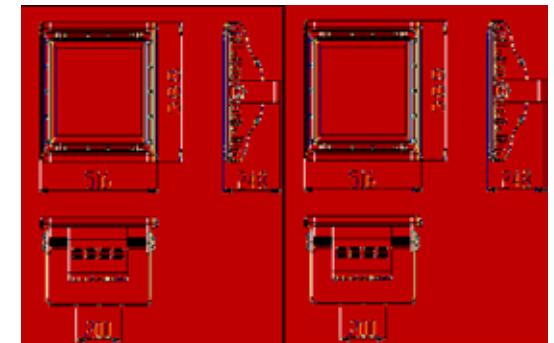


## 96 LED High Power Tunnel Lamp

<b>Model No.</b>		<b>MS-TL003096</b>			
<b>Input Voltage(VAC)</b>		<b>AC100-240V</b>			
<b>Frequency Range(HZ)</b>		<b>50-60Hz</b>			
<b>Power Factor(PF)</b>		<b>&gt;0.95</b>			
<b>Total Harmonic Distortion</b>		<b>&lt;20%</b>			
<b>Power Efficiency</b>		<b>90%</b>			
<b>Working Voltage(VDC)</b>		<b>DC45</b>			
<b>LED Luminous Efficiency</b>		<b>&gt;85lm/W LED</b>			
<b>LED Consumption(W)</b>		<b>96W</b>			
<b>System Consumption(W)</b>		<b>110W</b>			
<b>LED Initial Flux(LM)</b>		<b>&gt;6500lm</b>			
<b>Lamp's Efficiency(%)</b>		<b>90%</b>			
<b>Average Brightness(LUX)</b>	<b>Height:</b>	<b>16.5'/5m</b>	<b>space</b>	<b>16.5'/5m</b>	<b>213lux</b>
	<b>Height:</b>	<b>16.5'/5m</b>	<b>space</b>	<b>33'/10m</b>	<b>108lux</b>
	<b>Height:</b>	<b>20'/6m</b>	<b>space</b>	<b>16.5'/5m</b>	<b>198lux</b>
	<b>Height:</b>	<b>20'/6m</b>	<b>space</b>	<b>33'/10m</b>	<b>100lux</b>
<b>Illuminance Uniformity(U2)</b>		<b>0.65</b>			
<b>Color Temperature</b>		<b>6500K(PW), 3000K(WW),4100K(NW),</b>			
<b>Color Rendering Index(CRI)</b>		<b>Ra&gt;75</b>			
<b>Junction Temperature</b>		<b>&lt;70 °C</b>			
<b>Working Environment</b>		<b>Temp: -40°C~+55°C</b>			
<b>IP Rating</b>		<b>IP65</b>			
<b>Working Life</b>		<b>35,000-50,000 hours</b>			
<b>Tube Lamp material</b>		<b>Aluminum Alloy + Tempered Glass</b>			
<b>Net Weight</b>		<b>23lb 10.5kgs</b>			
<b>Packing Size(mm)</b>		<b>645 x 493 x 329mm</b>			
<b>Certification</b>		<b>CE/LVD,CE/EMC,RoHs</b>			



The 1st LED streetlight project in Shenzhen, Tangming Rd.



Unit:mm



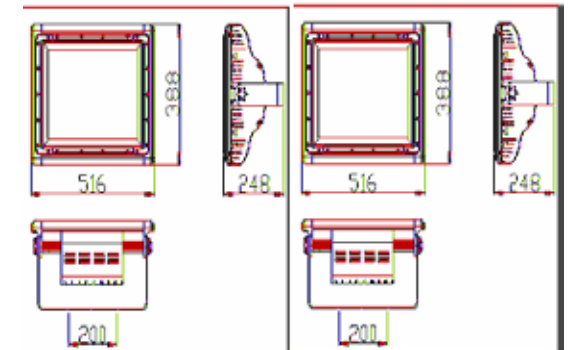


## 128 LED High Power Tunnel Lamp

Model No.		MS-TL004128			
Input Voltage(VAC)		AC100-240V			
Frequency Range(HZ)		50-60Hz			
Power Factor(PF)		>0.95			
Total Harmonic Distortion		<20%			
Power Efficiency		90%			
Working Voltage(VDC)		DC45			
LED Luminous Efficiency		>85lm/W LED			
LED Consumption(W)		128W			
System Consumption(W)		156W			
LED Initial Flux(LM)		>11100lm			
Lamp's Efficiency(%)		90%			
Average Brightness(LUX)	Height: 16.5'/5m	space	16.5'/5m	284lux	
	Height: 16.5'/5m	space	33'/10m	145lux	
	Height: 20'/6m	space	16.5'/5m	264lux	
	Height: 20'/6m	space	33'/10m	133lux	
Illuminance Uniformity(U2)		0.65			
Color Temperature		6500K(PW), 3000K(WW),4100K(NW),			
Color Rendering Index(CRI)		Ra>75			
Junction Temperature		<70 °C			
Working Environment		Temp: -40°C~+55°C			
IP Rating		IP65			
Working Life		35,000-50,000 hours			
Tube Lamp material		Aluminum Alloy + Tempered Glass			
Net Weight		34.7lb 15.8kgs			
Packing Size(mm)		761 x 493 x 329mm			
Certification		CE/LVD,CE/EMC,RoHs			



The 1st LED streetlight project in Shenzhen, Tangming Rd.



Unit:mm

